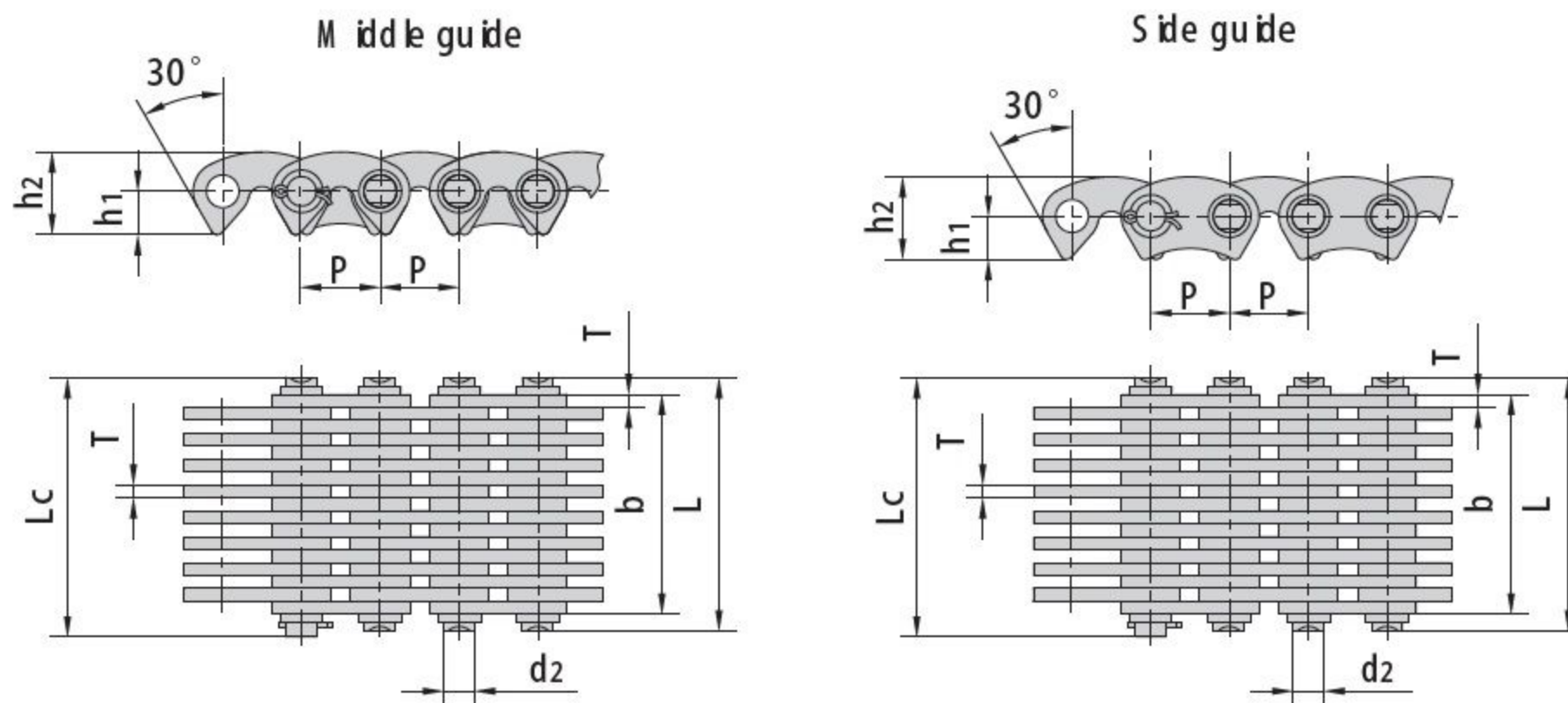


Inverted tooth chains

F flank contact silent chains



GB Chain No.	Pitch	Chain width	P in diameter	P in length		Distance from hole center to tooth	P late depth	P late thickness	Guide type	Number of plates	Ultimate tensile strength	Average tensile strength	Weight per meter	
	P mm	b min mm	d2 max mm	L max mm	Lc max mm	h1 mm	h2 max mm	T max mm			Q min kN/bf			Q0 kN
SC3	9.525	13.5	3.95	18.5	20.0	5.3	10.0	1.5	0 outside	9	10.0/2272	11.2	0.60	
		16.5		21.5	23.0				0 outside	11	12.5/2840			14.0
		19.5		24.5	26.0				0 outside	13	15.0/3409			16.8
		22.5		27.5	29.0				0 outside	15	17.5/3997			19.6
		28.5		33.5	35.0				Inside	19	22.5/5114			25.2
SC4	12.700	19.5	5.08	24.5	26.0	7.0	13.4	1.5	0 outside	13	23.4/5318	26.2	1.15	
		22.5		27.5	29.0				0 outside	15	27.4/6227			30.6
		25.5		30.5	32.0				0 outside	17	31.3/7114			35.0
		28.5		33.5	35.0				Inside	19	35.2/8000			39.4
		34.5		39.5	41.0				Inside	23	43.0/9772			48.1
		40.5		45.5	47.0				Inside	27	50.8/11364			56.8
		46.5		51.5	53.0				Inside	31	58.6/13318			65.6
52.5	57.5	59.0	Inside	35	66.4/15091	74.3								
SC5	15.875	30.0	5.92	37.0	38.2	8.7	16.7	2.0	Inside	15	45.6/10364	50.6	2.21	
		38.0		45.0	46.2				Inside	19	58.6/13318			65.0
		46.0		53.0	54.2				Inside	23	71.7/16295			79.5
		54.0		61.0	62.4				Inside	27	84.7/19250			94.0
		62.0		69.0	70.4				Inside	31	97.7/22204			108.4
SC6	19.050	38.0	6.90	45.0	46.5	10.5	20.0	2.0	Inside	19	70.0/15909	77.6	3.37	
		46.0		53.0	54.5				Inside	23	86.0/19545			95.4
		54.0		61.0	62.8				Inside	27	102.0/23182			113.2
		62.0		69.0	70.8				Inside	31	117.0/26591			129.8
		70.0		77.0	78.8				Inside	35	133.0/30227			147.6
SC8	25.400	45.0	8.90	52.0	53.5	14.0	26.7	3.0	Inside	15	111.0/25227	123.2	5.31	
		51.0		58.0	59.5				Inside	17	125.0/28409			138.7
		57.0		64.0	65.5				Inside	19	141.0/32045			156.5
		69.0		76.2	77.7				Inside	23	172.0/39091			190.9
		81.0		88.2	89.7				Inside	27	203.0/46163			225.3
		93.0		100.2	101.7				Inside	31	235.0/53409			260.8
SC10	31.750	57.0	10.84	66.6	69.6	17.5	33.4	3.0	Inside	19	165.0/37500	183.1	8.42	
		69.0		78.6	81.6				Inside	23	201.0/45681			223.1
		81.0		90.6	93.6				Inside	27	237.0/53863			263.2
		93.0		102.6	105.6				Inside	31	273.0/62045			303.0
		105.0		114.6	117.6				Inside	35	310.0/70454			341.0
		117.0		126.6	129.6				Inside	39	346.0/78636			380.6