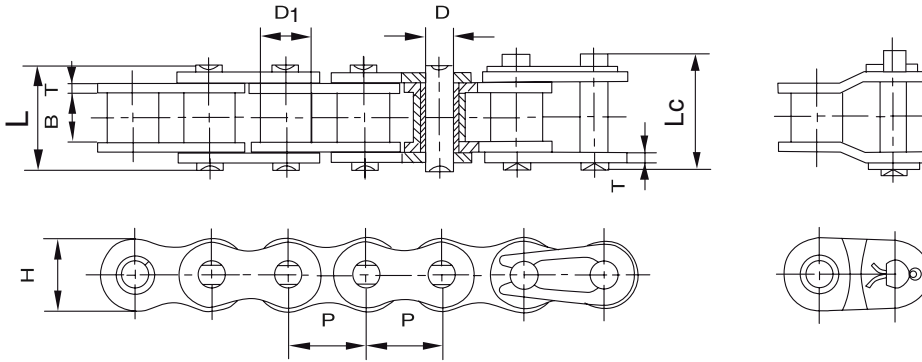


Roller chains

DIN 8188

American series

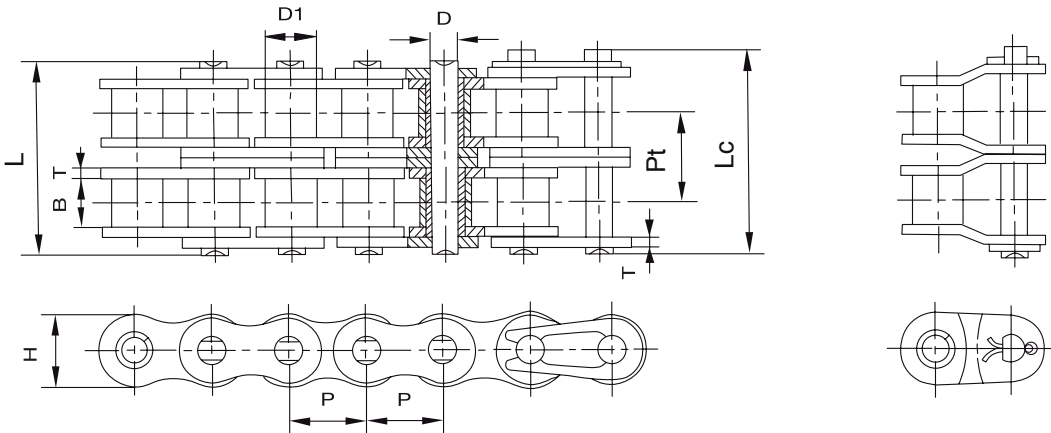


Simple roller chains / A Series

Reference		Pitch	Inner width	Roller diameter	Pin diameter	Pin length		Plates width	Plates thickness	Breaking load	Weight per meter
DIN/ISO	ASA	P	B min	D1 max	D max	L max	Lc max	H max	T max	Q min	q
		mm	mm	mm	mm	mm	mm	mm	mm	KN	Kg/m
*04C-1	*25-1	6,350	3,18	3,30	2,31	7,90	8,40	6,00	0,80	3,20	0,15
*06C-1	*35-1	9,525	4,77	5,08	3,58	12,40	13,17	9,00	1,30	7,90	0,33
085-1	41-1	12,700	6,25	7,77	3,58	13,75	15,00	9,91	1,30	6,67	0,41
08A-1	40-1	12,700	7,85	7,95	3,96	16,60	17,80	12,00	1,50	14,10	0,62
10A-1	50-1	15,875	9,40	10,16	5,08	20,70	22,20	15,09	2,03	22,20	1,02
12A-1	60-1	19,050	12,57	11,91	5,94	25,90	27,70	18,00	2,42	31,80	1,50
16A-1	80-1	25,400	15,75	15,88	7,92	32,70	35,00	24,00	3,25	56,70	2,60
20A-1	100-1	31,750	18,90	19,05	9,53	40,40	44,70	30,00	4,00	88,50	3,91
24A-1	120-1	38,100	25,22	22,23	11,10	50,30	54,30	35,70	4,80	127,00	5,62
28A-1	140-1	44,450	25,22	25,40	12,70	54,40	59,00	41,00	5,60	172,40	7,50
32A-1	160-1	50,800	31,55	28,58	14,27	64,80	69,60	47,80	6,40	226,80	10,10
40A-1	200-1	63,500	37,85	39,68	19,85	80,30	87,20	60,00	8,00	353,80	16,15
48A-1	240-1	76,200	47,35	47,63	23,81	95,50	103,00	72,39	9,50	510,30	23,20

* Bush chains

Roller chains DIN 8188 American series



Double roller chains / A series

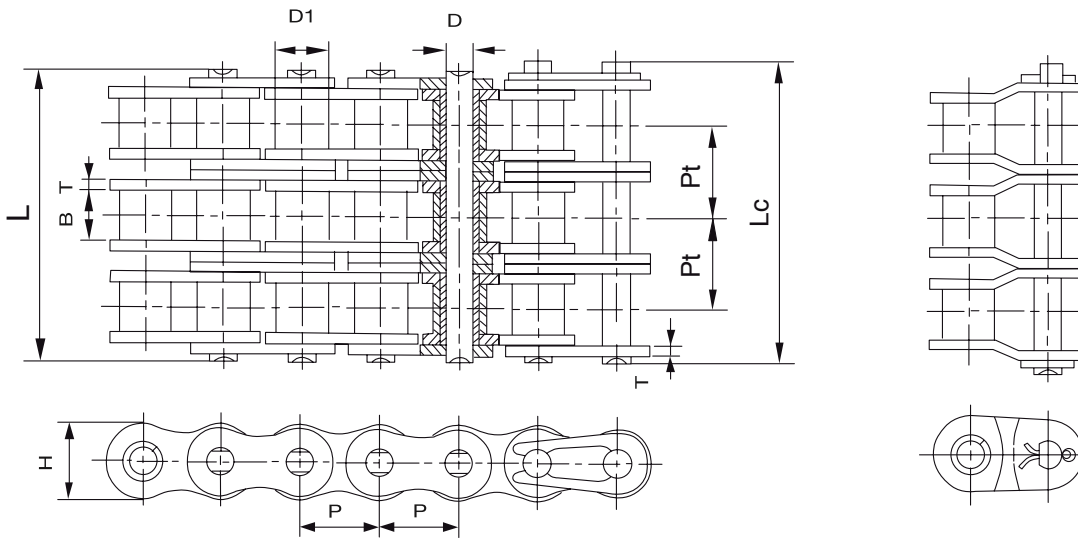
Reference	Pitch	Inner width	Roller diameter	Pin diameter	Pin length	Plates width	Plates thickness	Transverse Pitch	Breaking load	Weight per meter		
DIN/ISO	ASA	P mm	B min mm	D1 max mm	D max mm	L max mm	Lc max mm	H max mm	T max mm	Pt mm	Q min KN	q Kg/m
*04C-2	*25-2	6,350	3,18	3,30	2,31	14,50	15,00	6,00	0,80	6,40	7,00	0,28
*06C-2	*35-2	9,525	4,77	5,08	3,58	22,50	23,30	9,00	1,30	10,13	15,80	0,63
085-2	41-2	12,700	6,25	7,77	3,58	25,70	26,90	9,91	1,30	11,95	13,34	0,81
08A-2	40-2	12,700	7,85	7,95	3,96	31,00	32,20	12,00	1,50	14,38	28,20	1,12
10A-2	50-2	15,875	9,40	10,16	5,08	38,90	40,40	15,09	2,03	18,11	44,40	2,00
12A-2	60-2	19,050	12,57	11,91	5,94	48,80	50,50	18,00	2,42	22,78	63,60	2,92
16A-2	80-2	25,400	15,75	15,88	7,92	62,70	64,30	24,00	3,25	29,29	113,40	5,15
20A-2	100-2	31,750	18,90	19,05	9,53	76,40	80,50	30,00	4,00	35,76	177,00	7,80
24A-2	120-2	38,100	25,22	22,23	11,10	95,80	99,70	35,70	4,80	45,44	254,00	11,70
28A-2	140-2	44,450	25,22	25,40	12,70	103,30	107,90	41,00	5,60	48,87	344,80	15,14
32A-2	160-2	50,800	31,55	28,58	14,27	123,30	128,10	47,80	6,40	58,55	453,60	20,14
40A-2	200-2	63,500	37,85	39,68	19,85	151,90	158,80	60,00	8,00	71,55	707,60	32,24
48A-2	240-2	76,200	47,35	47,63	23,81	183,40	190,80	72,39	9,50	87,83	1.020,60	45,23

* Bush chains

Roller chains

DIN 8188

American series



Triple roller chains / A series

Reference		Pitch	Inner width	Roller diameter	Pin diameter	Pin length		Plates width	Plates thickness	Transverse Pitch	Breaking load	Weight per meter
DIN/ISO	ASA	P	B min	D1 max	D max	L max	Lc max	H max	T max	Pt	Q min	q
		mm	mm	mm	mm	mm	mm	mm	mm	mm	KN	Kg/m
*04C-3	*25-3	6,350	3,18	3,30	2,31	21,00	21,50	6,00	0,80	6,40	10,50	0,44
*06C-3	*35-3	9,525	4,77	5,08	3,58	32,70	33,50	9,00	1,30	10,13	23,70	1,05
08A-3	40-3	12,700	7,85	7,95	3,96	45,40	46,60	12,00	1,50	14,38	42,30	1,90
10A-3	50-3	15,875	9,40	10,16	5,08	57,00	58,50	15,09	2,03	18,11	66,60	3,09
12A-3	60-3	19,050	12,57	11,91	5,94	71,50	73,30	18,00	2,42	22,78	95,40	4,54
16A-3	80-3	25,400	15,75	15,88	7,92	91,70	93,60	24,00	3,25	29,29	170,10	7,89
20A-3	100-3	31,750	18,90	19,05	9,53	112,20	116,30	30,00	4,00	35,76	265,50	11,77
24A-3	120-3	38,100	25,22	22,23	11,10	141,40	145,20	35,70	4,80	45,44	381,00	17,53
28A-3	140-3	44,450	25,22	25,40	12,70	152,20	156,80	41,00	5,60	48,87	517,20	22,20
32A-3	160-3	50,800	31,55	28,58	14,27	181,80	186,60	47,80	6,40	58,55	680,40	30,02
40A-3	200-3	63,500	37,85	39,68	19,85	223,50	230,40	60,00	8,00	71,55	1.061,40	49,03
48A-3	240-3	76,200	47,35	47,63	23,81	271,30	278,60	72,39	9,50	87,83	1.530,90	71,60

* Bush chains