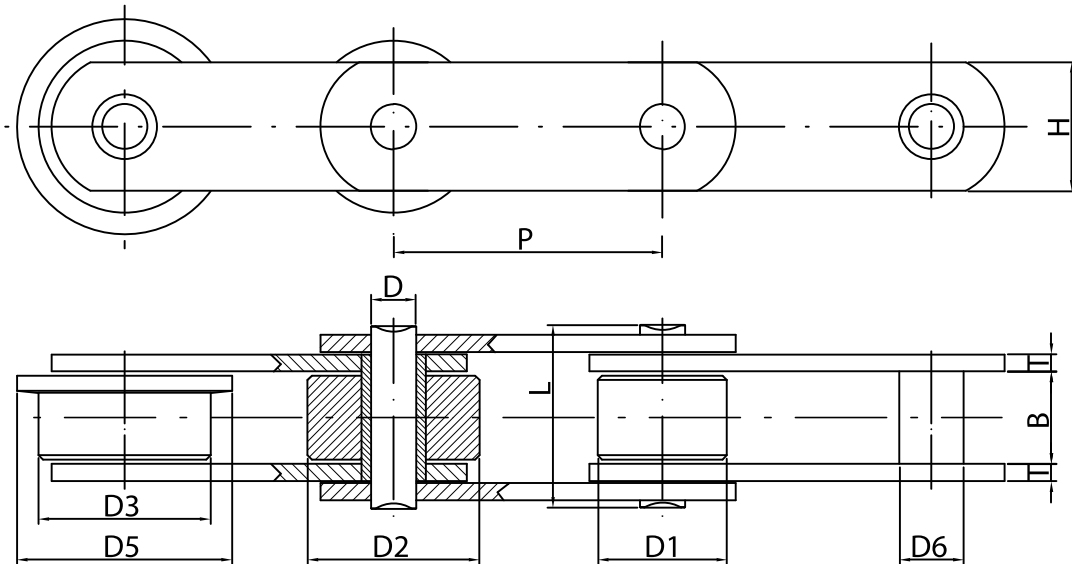


Conveyor chains

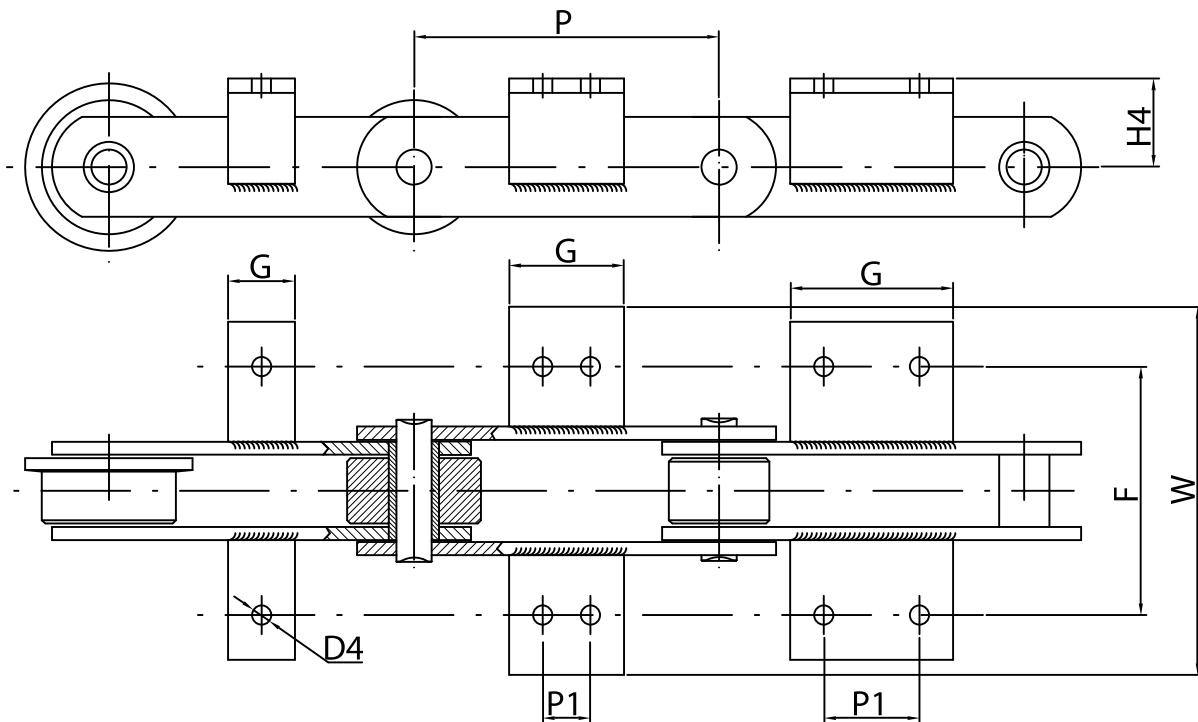
FV series



Reference	Standard pitches						Inner with	Bush diameter	Rollers				Plates		Pins		Breaking load	
									small	big	rolling	flange	width	thickness	diameter	length		
ISO	P*						B min	D6	D1	D2	D3	D5	H	T	D	L max	Q min	
	mm						mm	mm	mm	mm	mm	mm	mm	mm	mm	mm	mm	KN
FV-40	40	63	80	100	-	-	18	15	20	32	40	48	25	3	10	37	40	
FV-63	40	63	80	100	125	160	22	18	26	40	50	60	30	4	12	46	63	
FV-90	63	80	100	125	160	200	25	20	30	48	63	73	35	5	14	53	90	
FV-112	80	100	125	160	200	250	30	22	32	55	72	87	40	6	16	63	112	
FV-140	100	125	160	200	250	315	35	26	36	60	80	95	45	6	18	68	140	
FV-180	125	160	200	250	315	400	45	30	42	70	100	120	50	8	20	86	180	
FV-250	125	160	200	250	315	400	55	36	50	80	125	145	60	8	26	98	250	
FV-315	-	160	200	250	315	400	65	42	60	90	140	170	70	10	30	117	315	
FV-400	-	160	200	250	315	400	70	45	60	100	150	185	70	12	32	131	400	
FV-500	-	160	200	250	315	400	80	50	70	110	160	195	80	12	36	141	500	
FV-630	-	-	160	200	315	400	90	56	80	120	170	210	100	12	42	153	630	

* Other pitches upon request

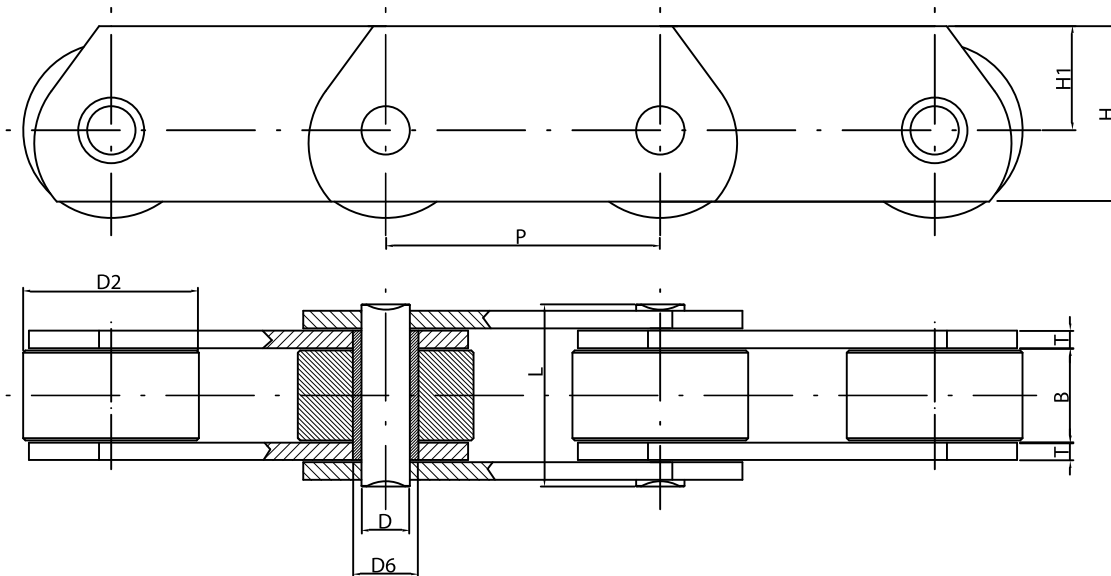
Conveyor chains with attachments FV series



Reference	Attachment height	Distance between holes	Total width	Hole diameter	1 hole		2 holes									Iron angle
					P min	G	short			normal			long			
							P min	P1	G	P min	P1	G	P min	P1	G	
ISO	H4	F	W max	D4	mm	mm	mm	mm	mm	mm	mm	mm	mm	mm	mm	mm
FV-63	30	68	100	9	63	40	100	30	50	125	40	60	160	50	60	L30x3
FV-90	35	80	130	9	-	-	100	30	50	125	40	60	160	50	70	L40x4
FV-112	40	100	146	11	-	-	100	30	50	125	40	65	160	50	75	L45x5
FV-140	45	100	170	11	-	-	100	30	55	125	40	65	160	50	75	L50x5
FV-180	45	128	200	13,5	-	-	125	35	65	160	50	80	200	65	95	L60x6
FV-250	55	138	230	13,5	125	50	160	50	80	200	65	95	250	80	110	L70x7
FV-315	60	170	270	13,5	160	50	200	65	95	250	80	110	315	100	130	L80x8
FV-400	65	190	325	18	160	50	200	60	100	250	80	120	315	100	140	L100x10
FV-500	70	200	335	18	160	50	200	50	90	250	80	120	315	100	140	L100x10
FV-630	80	230	385	18	200	50	250	70	110	315	100	140	400	100	140	L120x12

Conveyor chains

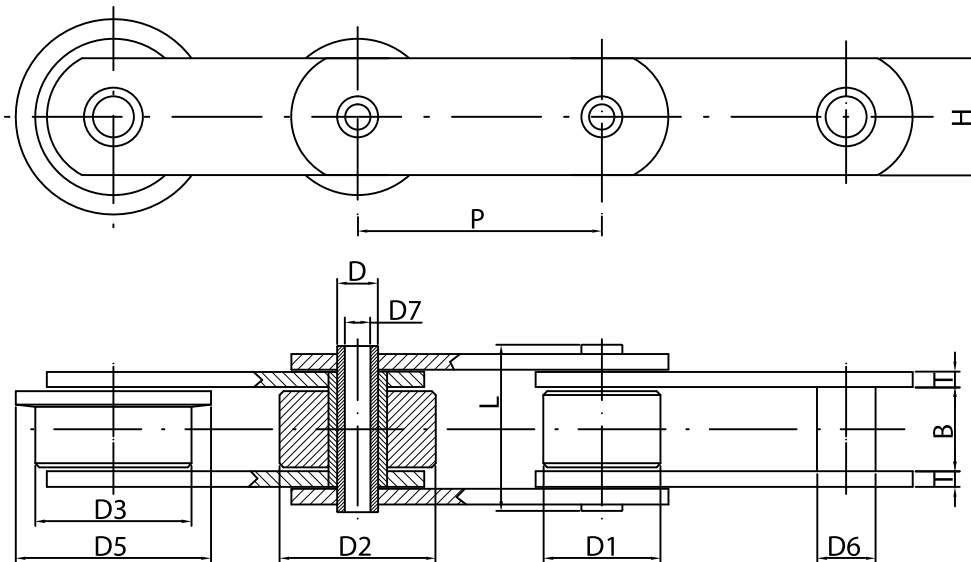
FVT series



Reference	Standard pitches						Inner width	Bush diameter	Roller	Plates			Pins		Breaking load
										width	deep	thickness	diameter	length	
ISO	P*						B min	D6	D2	H	H1	T	D	L max	Q min
	mm						mm	mm	mm	mm	mm	mm	mm	mm	KN
FVT40	40	63	80	100	-	-	18	15	32	35	22	3	10	37	40
FVT63	40	63	80	100	125	160	22	18	40	40	25	4	12	46	63
FVT90	63	80	100	125	160	200	25	20	48	45	27,5	5	14	53	90
FVT112	80	100	125	160	200	250	30	22	55	50	30	6	16	63	112
FVT140	100	125	160	200	250	315	35	26	60	60	37,5	6	18	68	140
FVT180	125	160	200	250	315	400	45	30	70	70	45	8	20	86	180
FVT250	125	160	200	250	315	400	55	36	80	80	50	8	26	98	250
FVT315	-	160	200	250	315	400	65	42	90	90	55	10	30	117	315
FVT400	-	160	200	250	315	400	70	45	100	90	55	12	32	131	400
FVT500	-	160	200	250	315	400	80	50	110	100	60	12	36	141	500
FVT630	-	-	160	200	315	400	90	56	120	120	70	12	42	153	630

* Other pitches upon request

Conveyor chains FVC series



Reference	Standard pitches						Inner width	Bush diameter	Rollers				Plates		Pins			Breaking load	
									small	big	rolling	flange	width	thickness	outer diameter	inner diameter	length		
ISO	P*						B min	D6	D1	D2	D3	D5	H	T	D	D7 min	L max	Q min	
	mm						mm	mm	mm	mm	mm	mm	mm	mm	mm	mm	mm	mm	KN
FVC63	40	63	80	100	125	160	22	18	26	40	50	60	30	4	12	8,2	46	57	
FVC90	63	80	100	125	160	200	25	20	30	48	63	73	35	5	14	10,2	53	73	
FVC112	80	100	125	160	200	250	30	22	32	55	72	87	40	6	16	11,2	63	102	
FVC140	100	125	160	200	250	315	35	26	36	60	80	95	45	6	18	12,2	68	136	
FVC180	125	160	200	250	315	400	45	30	42	70	100	120	50	8	20	14,3	86	154	
FVC250	125	160	200	250	315	400	55	36	50	80	125	145	60	8	26	18,3	98	230	
FVC315	-	160	200	250	315	400	65	42	60	90	140	170	70	10	30	20,3	117	336	

* Other pitches upon request