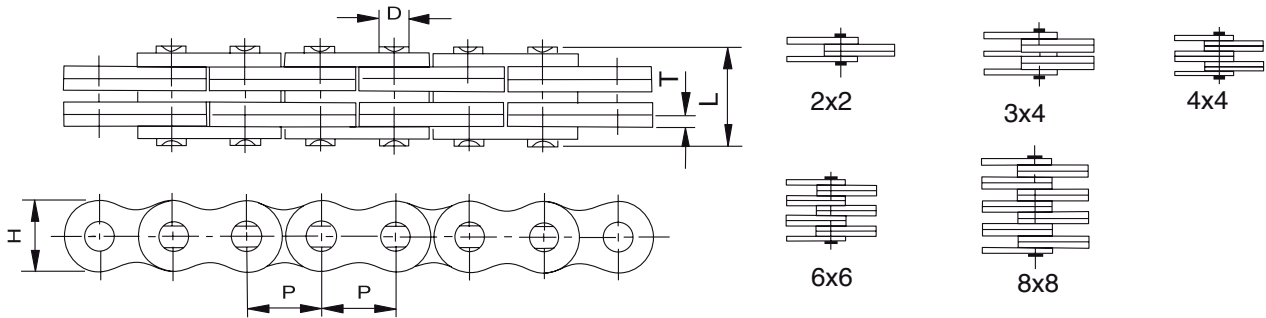


Leaf chains

AL series



Reference	Pitch	Plates lacing	Plates width	Plates thickness	Pin diameter	Pin length	Breaking load	Weight per meter
ASA	P		H max	T max	D max	L max	Q min	q
	mm		mm	mm	mm	mm	KN	Kg/m
AL322	9,525	2 x 2	7,7	1,30	3,58	6,80	9,00	0,23
AL344		4 X 4				11,60	18,0	0,46
AL422	12,700	2 X 2	10,4	1,50	3,96	8,30	14,10	0,39
AL444		4 X 4				14,40	28,20	0,74
AL466		6 X 6				20,50	42,30	1,13
AL522	15,875	2 X 2	12,8	2,03	5,08	11,05	22,00	0,64
AL534		3 X 4				17,00	33,00	1,10
AL544		4 X 4				19,40	44,00	1,25
AL566		6 X 6				27,50	66,00	1,79
AL622	19,050	2 X 2	15,6	2,42	5,94	13,00	37,00	0,86
AL644		4 X 4				22,70	66,70	1,76
AL666		6 X 6				32,20	100,10	2,60
AL688		8 X 8				42,20	133,40	3,49
AL822	25,400	2 X 2	20,5	3,25	7,92	16,20	56,70	1,54
AL844		4 X 4				29,40	113,40	3,00
AL866		6 X 6				44,20	170,00	4,46
AL1022	31,750	2 X 2	25,6	4,00	9,53	19,60	88,50	2,37
AL1044		4 X 4				36,40	177,00	4,68
AL1066		6 X 6				52,30	265,00	7,20
AL1088		8 X 8				68,50	354,00	9,94
AL1222	38,100	2 X 2	30,5	4,80	11,10	24,30	127,00	3,65
AL1244		4 X 4				43,80	254,00	7,05
AL1266		6 X 6				63,20	381,00	10,50
AL1288		8 X 8				82,60	508,00	14,03
AL1444	44,450	4 X 4	36,4	5,60	12,64	51,30	372,70	10,34
AL1466		6 X 6				74,56	559,00	15,16
AL1644	50,800	4 X 4	41,6	6,40	14,21	58,00	471,00	12,98
AL1666		6 X 6				83,80	706,00	19,76
AL1688		8 X 8				109,50	942,0	25,47